



WEVER & DUCRÉ
LIGHTING

PIRRO SURFACE 6.0

151651J3

Project

Type

Notes

Quantity

Date

GENERAL

Ceiling

Surface

Signal White + Gold

IP20

Interior

2506 lm

LED

2700 K

CRI 90

L70 / 50000 h

3-step binning

OPTICAL

Flood

Beam angle 32°

PHYSICAL

Length 270 mm

Width 50 mm

Height 80 mm

0.8 kg

ELECTRICAL

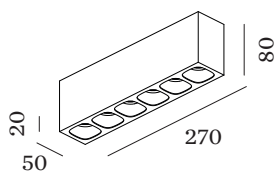
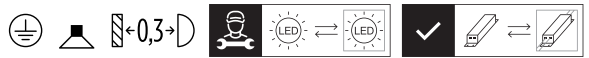
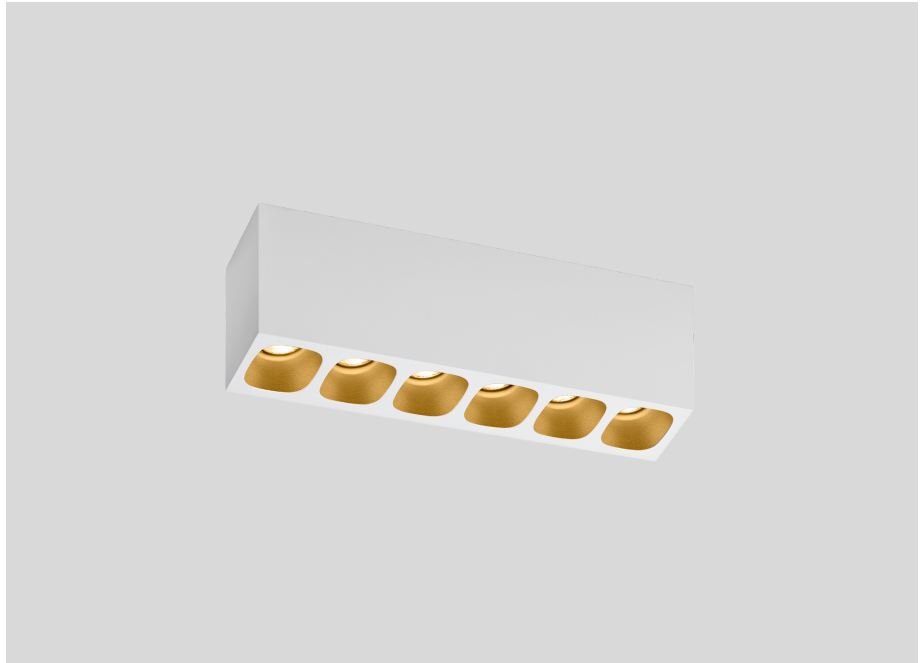
phase-cut dim

220 - 240 V

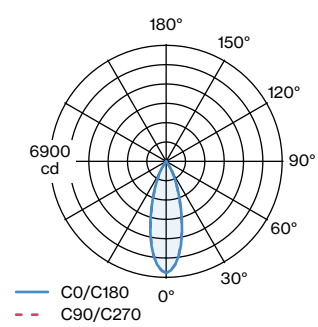
Total connected power 30 W

PC1

Safety distance 0.3 m



LIGHT DISTRIBUTION



[151651J3] The technical data represent rated values for an ambient temperature of 25°C. The data values for the luminous flux are initially subject to a tolerance of +/- 10%, those for September 14, 2021 the electrical connected load are initially subject to a tolerance of +/- 10%, and those for the colour temperature are initially subject to a tolerance of +/- 150 K. No liability is assumed for typographical or printing errors. The general terms and conditions of Wever & Ducré BVBA apply.
© Wever & Ducré BVBA · Spinnerijstraat 99/21 · 8500 Kortrijk · Belgium · www.weverducre.com



WEVER & DUCRÉ
LIGHTING

PIRRO

SURFACE 6.0

151651J3

Maintenance Factors

Operating Time [h]	10 000	20 000	30 000	40 000	50 000
LLMF	0.92	0.88	0.83	0.79	0.76
LSF	1	1	1	1	1

MF	$LMF \times RSMF \times LLMF \times LSF$	RSMF ^a	Room Surface Maintenance Factor
MF	Maintenance Factor	LLMF	Lamp Lumens Maintenance Factor
LMF ^a	Luminaire Maintenance Factor	LSF	Lamp Survival Faktor

^a According to "CIE 97, Maintenance of indoor electric lighting systems", 2005, ISBN 3-900-734-34-8. The values must be determined by the planner.

OPTICAL

Honeycomb

TYPE	COLOUR	(MM)	ORDERCODE
CENO PIRRO BLIEK ROUND PETIT	Pure White	29	9 0 0 5 1 1 3 0
CENO PIRRO BLIEK ROUND PETIT	Signal Black	29	9 0 0 5 1 1 3 1

