



WEVER & DUCRÉ
LIGHTING

PIRRO 2.0

150251J3

Project

Type

Notes

Quantity

Date

GENERAL

Ceiling

Recessed

Signal White + Gold

IP20

Interior

835 lm

LED

2700 K

CRI 90

L70 / 50000 h

3-step binning

OPTICAL

Flood

Beam angle 32°

PHYSICAL

Length 100 mm

Width 56 mm

Height 43 mm

0.155 kg

ELECTRICAL

excl. power supply

18 V

Total connected power 11.4 W

LED Inset 8.6 W

500 mA

PC3

Safety distance 0.3 m

CUTOUT

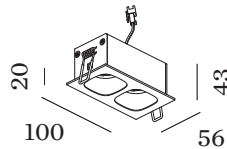
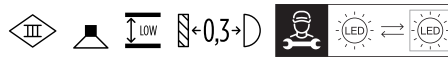
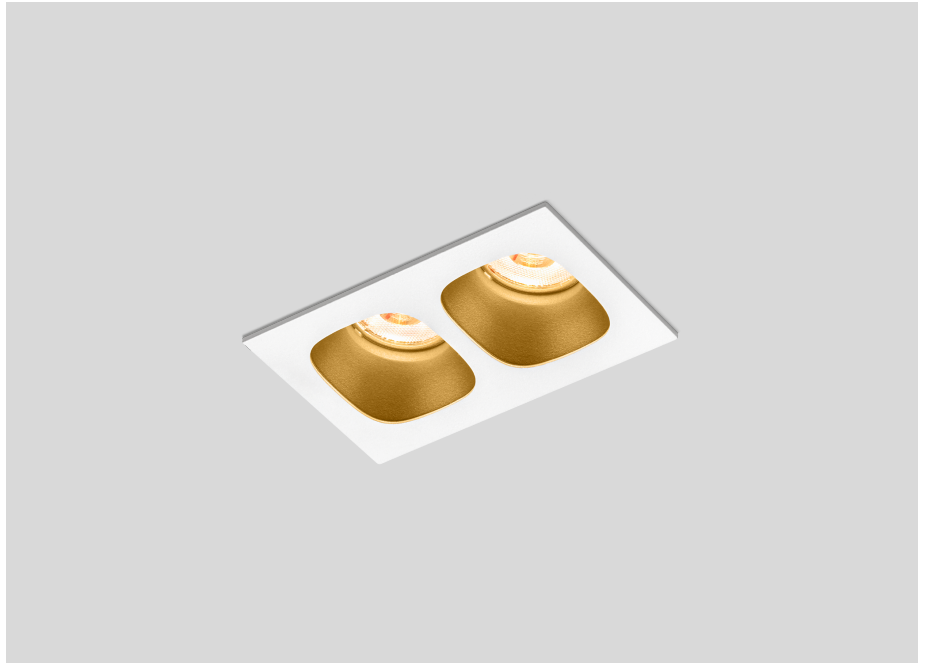
Length 93 mm

Width 50 mm

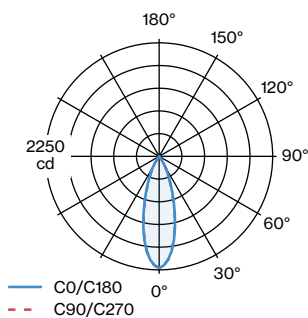
Min. ceiling thickness 4 mm

Max. ceiling thickness 25 mm

Recessed depth 60 mm



LIGHT DISTRIBUTION





WEVER & DUCRÉ
LIGHTING

PIRRO 2.0

150251J3

Maintenance Factors

Operating Time [h]	10 000	20 000	30 000	40 000	50 000
LLMF	0.92	0.88	0.83	0.79	0.76
LSF	1	1	1	1	1

MF	$LMF \times RSMF \times LLMF \times LSF$	RSMF ^a	Room Surface Maintenance Factor
MF	Maintenance Factor	LLMF	Lamp Lumens Maintenance Factor
LMF ^a	Luminaire Maintenance Factor	LSF	Lamp Survival Faktor

^a According to "CIE 97, Maintenance of indoor electric lighting systems", 2005, ISBN 3-900-734-34-8. The values must be determined by the planner.

ELECTRONICAL

Power Supply

TYPE	L · W · H (MM)	VOLTAGE	ORDERCODE
Driver 15W 500mA 12-20V	122 · 41 · 23	12-20V	9 0 2 2 4 5 0 3
Driver 12W 500mA 6-24V	88 · 52 · 25,5	6-24V	9 0 2 4 4 4 0 2

OPTICAL

Honeycomb

TYPE	COLOUR	(MM)	ORDERCODE
CENO PIRRO BLIEK ROUND PETIT	Pure White	29	9 0 0 5 1 1 3 0
CENO PIRRO BLIEK ROUND PETIT	Signal Black	29	9 0 0 5 1 1 3 1



e29