



WEVER & DUCRÉ
LIGHTING

SQUBE

on base #2 PAR16

144520B0

Project
Type
Notes
Quantity
Date

GENERAL

Ceiling
Surface
Jet Black
IP20
Interior
915 ^a to 925 ^b lm
RAL 9005 ^c

LED

Lamp 2 x PAR16
PAR16
Socket GU10
max. 12 W
CRI 80
L70 / 50000 h

OPTICAL

Beam angle 47°
----------------	-------

PHYSICAL

Length 205 mm
Width 55 mm
Height 125 mm
0.58 kg
Tilt min 90°
Tilt max 90°
Rotation 355°

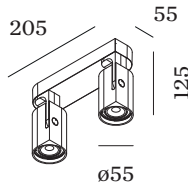
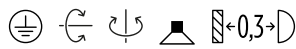
ELECTRICAL

100 - 240 V
Total connected power 13.2 ^b to 13.3 ^a
W
PC1
Safety distance 0.3 m

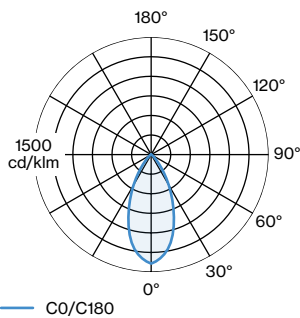
^a LED 3000K CRI 80 white

^b LED 2700K CRI 80 white

^c RAL Palette colors may deviate slightly due to production conditions.



LIGHT DISTRIBUTION



[144520B0] The technical data represent rated values for an ambient temperature of 25°C. The data values for the luminous flux are initially subject to a tolerance of +/- 10%, those for the electrical connected load are initially subject to a tolerance of +/- 10%, and those for the colour temperature are initially subject to a tolerance of +/- 150 K. No liability is assumed for typographical or printing errors. The general terms and conditions of Wever & Ducré BVBA apply.
© Wever & Ducré BVBA · Spinnerijstraat 99/21 · 8500 Kortrijk · Belgium · www.weverducre.com



WEVER & DUCRÉ
LIGHTING

SQUBE

on base #2 PAR16

144520B0

CONE DIAGRAM

LED 2700K CRI ≥ 80 White

h (m)	EO° (lx)	ø (m)
1	1286	0.88
2	321	1.75
3	142	2.63
4	80	3.50
5	51	4.38

LED LAMPS

PAR16 LED Lamp

TYPE	COLOUR	Ø · H (MM)	ORDERCODE
2700K >90 CRI GU10	Jet Black	ø50-58	9 0 1 2 2 8 B 3
3000K >90 CRI GU10	Jet Black	ø50-58	9 0 1 2 2 8 B 5
2700K >80 CRI GU10	Signal White	ø50-58	9 0 1 2 2 8 W 2
2700K >90 CRI GU10	Signal White	ø50-58	9 0 1 2 2 8 W 3
3000K >80 CRI GU10	Signal White	ø50-58	9 0 1 2 2 8 W 4
2700K >80 CRI GU10	Silver/Grey	ø51-55	9 0 5 2 2 7 S 2
3000K >80 CRI GU10	Silver/Grey	ø51-55	9 0 5 2 2 7 S 4