



WEVER & DUCRÉ
LIGHTING

SMILE IN OUTDOOR 1.0

702151W4

Project

Type

Notes

Quantity

Date

GENERAL

Wall
Recessed
Signal White
IP65
Exterior
235^a to 315^b lm
RAL 9003^c

LED

3000 K
CRI 80
L95 / 50000 h
3-step binning
MR 0.56
MDER 0.51

PHYSICAL

Length 100 mm
Width 37 mm
Height 100 mm
0.39 kg

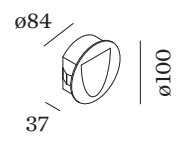
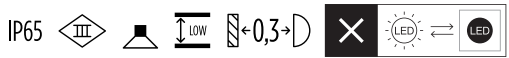
ELECTRICAL

excl. power supply
9 V
Total connected power 4.1^a to 6^b W
350^a to 500^b mA
PC3
Safety distance 0.3 m

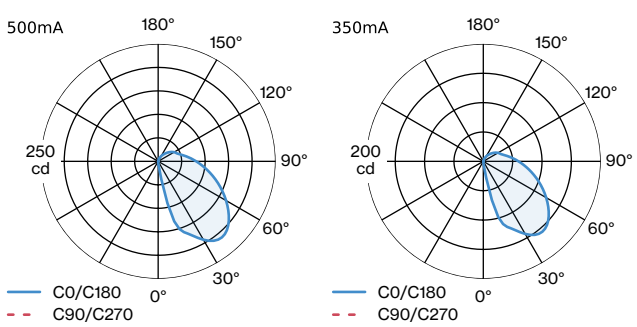
CUTOUT

Diameter 86 mm
Min. ceiling thickness 13 mm
Recessed depth 40 mm

^a 350mA
^b 500mA
^c RAL Palette colors may deviate slightly due to production conditions.



LIGHT DISTRIBUTION





WEVER & DUCRÉ
LIGHTING

SMILE IN OUTDOOR 1.0

702151W4

Maintenance Factors

Operating Time [h]	10 000	20 000	30 000	40 000	50 000
LLMF	0.98	0.98	0.98	0.98	0.97
LSF	1	1	1	1	1

MF	$LMF \times RSMF \times LLMF \times LSF$	RSMF ^a	Room Surface Maintenance Factor
MF	Maintenance Factor	LLMF	Lamp Lumens Maintenance Factor
LMF ^a	Luminaire Maintenance Factor	LSF	Lamp Survival Faktor

^a According to "CIE 97, Maintenance of indoor electric lighting systems", 2005, ISBN 3-900-734-34-8. The values must be determined by the planner.

MOUNTING

Recessed Housing

TYPE	Ø·H (MM)	ORDERCODE
SMILE IN	∅90·50	9 0 0 1 2 0 3 0

POWER SUPPLIES

Power Supply

TYPE	L·W·H (MM)	ORDERCODE
Driver 17W 350mA 5-49V IP68	122·54·26	9 0 2 1 3 6 0 2
Driver 24W 500mA 5-48V IP68	122·54·26	9 0 2 1 4 7 0 2