



WEVER & DUCRÉ
LIGHTING

WIRO 6.1

209400B0

Project _____

Type _____

Notes _____

Quantity _____

Date _____

GENERAL

Ceiling _____

Suspended _____

Jet Black _____

IP20 _____

Interior _____

290 lm _____

RAL 9005^a _____

LED

Lamp A60 _____

E27 _____

Socket E27 _____

max. 60 W _____

CRI 90 _____

PHYSICAL

Diameter 614 mm _____

Height 379 mm _____

2.7 kg _____

ELECTRICAL

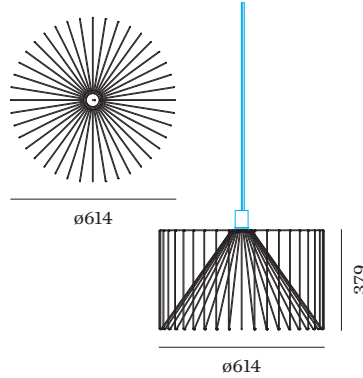
220 - 240 V _____

Total connected power 5.5 W _____

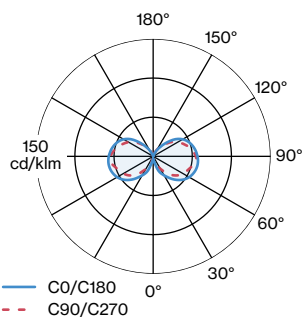
PC1 _____

Safety distance 0.3 m _____

^a RAL Palette colors may deviate slightly due to production conditions.



LIGHT DISTRIBUTION





WEVER & DUCRÉ
LIGHTING

WIRO 6.1

209400B0

SUSPENSION OPTIONS

WIRO Decenter 1.0

TYPE	ORDERCODE
Suspension Set E27 2.6 m	9 0 0 1 5 1 6 0
Suspension Set E27 6.0 m	9 0 0 1 5 1 6 1
Suspension Set E27 2.6 m	9 0 0 5 2 0 5 0
Suspension Set E27 6.0 m	9 0 0 5 2 0 5 1

WIRO Plug + Play

TYPE	ORDERCODE
Suspension Set E27 Cable Plug with dimmer	9 0 0 1 5 1 6 5

WIRO Single Suspension

TYPE	ORDERCODE
Suspension Set without steel wire 2.6 m	9 0 0 1 5 1 7 1
Suspension Set without steel wire 6.0 m	9 0 0 1 5 1 7 2
Suspension Set with steel wire 2.6 m	9 0 0 1 5 1 7 5
Suspension Set with steel wire 6.0 m	9 0 0 1 5 1 7 6

WIRO Base

TYPE	Ø · H (MM)	ORDERCODE
Ceiling Surface Base E27	ø100·66	9 0 0 5 1 0 2 5

WIRO Decenter 2.0

TYPE	ORDERCODE
Suspension Set E27 2.6 m for 2	9 0 0 5 2 0 5 5
Suspension Set E27 6.0 m for 2	9 0 0 5 2 0 5 6

WIRO Decenter 3.0

TYPE	ORDERCODE
Suspension Set E27 2.6 m for 3	9 0 0 5 2 0 6 0
Suspension Set E27 6.0 m for 3	9 0 0 5 2 0 6 3

Ceiling Hook

TYPE	Ø · H (MM)	ORDERCODE
for WIRO	ø16·30	9 0 0 5 2 0 6 1

Cable Wall Bracket

TYPE	Ø · H (MM)	ORDERCODE
only for WIRO textile cable	ø30·21	9 0 0 5 2 0 6 2

Strain Relief

TYPE	Ø · H (MM)	ORDERCODE
for WIRO suspension	ø12.5·13	9 0 0 5 2 0 6 4



WEVER & DUCRÉ
LIGHTING

WIRO 6.1

209400B0

WIRO Decenter 4.0

TYPE	ORDERCODE
Suspension Set E27 2.6 m for 4	9 0 0 5 2 0 6 7

WIRO Decenter 5.0

TYPE	ORDERCODE
Suspension Set E27 2.6 m for 5	9 0 0 5 2 0 6 8

WIRO Decenter 6.0

TYPE	ORDERCODE
Suspension Set E27 2.6 m for 6	9 0 0 5 2 0 6 9

WIRO Decenter 7.0

TYPE	ORDERCODE
Suspension Set E27 2.6 m for 7	9 0 0 5 2 0 7 0

WIRO Decenter 8.0

TYPE	ORDERCODE
Suspension Set E27 2.6 m for 8	9 0 0 5 2 0 7 1

ELECTRICAL

ST64 Lamp

TYPE	Ø · H (MM)	ORDERCODE
2200K E27	ø65-140	9 0 0 3 E 1 0 5

A60 LED Lamp

TYPE	Ø · H (MM)	ORDERCODE
2200K E27	ø60-110	9 0 0 3 E 1 0 9
2700K E27	ø60-110	9 0 0 3 E 1 3 8

T30-300 LED Lamp

TYPE	Ø · H (MM)	ORDERCODE
2200K E27	ø30-300	9 0 0 3 E 1 3 0
2700K E27	ø30-300	9 0 0 3 E 1 3 5