



WEVER & DUCRÉ
LIGHTING

HEXO WALL mini 2.0

301420Q0

Project _____

Type _____

Notes _____

Quantity _____

Date _____

GENERAL

Wall _____

Surface _____

Bronze _____

IP20 _____

Interior _____

Indirect 445^a to 450^b lm _____

Direct 445^a to 450^b lm _____

Total 890^a to 900^b lm _____

LED

Lamp 2 x PAR16 _____

PARI6 _____

Socket GU10 _____

max. 12 W _____

CRI 80 _____

L70 / 50000 h _____

PHYSICAL

Diameter 77 mm _____

Height 200 mm _____

0.4 kg _____

ELECTRICAL

100 - 240 V _____

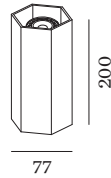
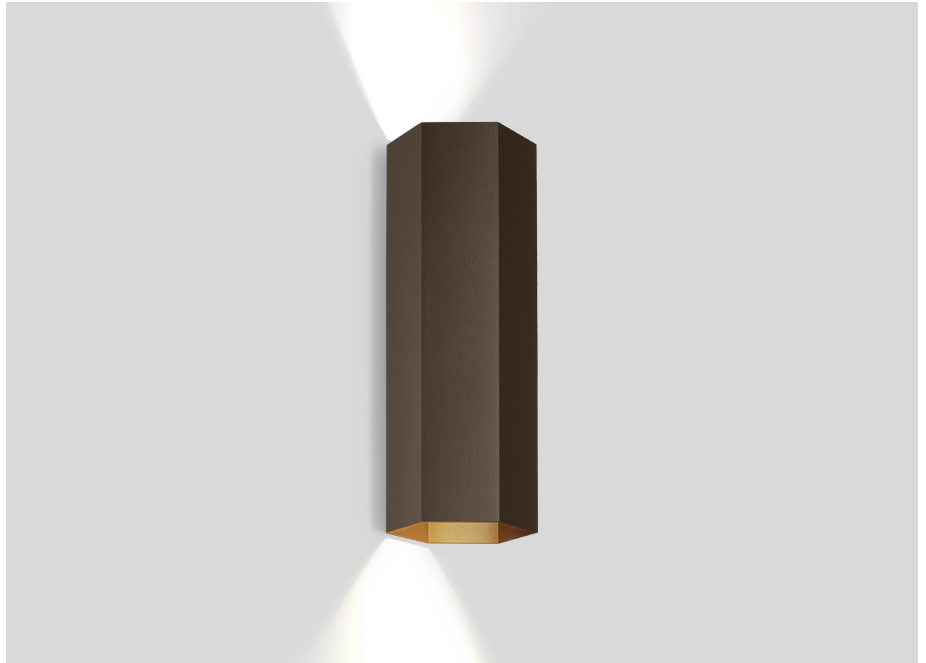
Total connected power 13.2^b to 13.3^a _____

W _____

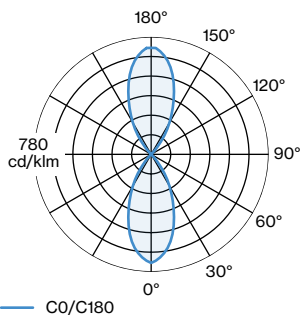
PC1 _____

Safety distance 0.3 m _____

^a LED 3000K CRI 80 white
^b LED 2700K CRI 80 white



LIGHT DISTRIBUTION





WEVER & DUCRÉ
LIGHTING

HEXO WALL mini 2.0

301420Q0

LED LAMPS

PAR16 LED Lamp

TYPE	COLOUR	Ø · H (MM)	ORDERCODE
2700K >90 CRI GU10	Jet Black	Ø50·58	9 0 1 2 2 8 B 3
3000K >90 CRI GU10	Jet Black	Ø50·58	9 0 1 2 2 8 B 5
2700K >80 CRI GU10	Signal White	Ø50·58	9 0 1 2 2 8 W 2
2700K >90 CRI GU10	Signal White	Ø50·58	9 0 1 2 2 8 W 3
3000K >80 CRI GU10	Signal White	Ø50·58	9 0 1 2 2 8 W 4
2700K >80 CRI GU10	Silver/Grey	Ø51·55	9 0 5 2 2 7 S 2
3000K >80 CRI GU10	Silver/Grey	Ø51·55	9 0 5 2 2 7 S 4