



WEVER & DUCRÉ
LIGHTING

BOX WALL mini 2.0

301120WN0

Project

Type

Notes

Quantity

Date

GENERAL

Wall

Surface

Walnut Wood

IP20

Interior

Indirect 410^a to 415^b lm

Direct 410^a to 415^b lm

Total 820^a to 830^b lm

LED

Lamp 2 x PAR16

PAR16

Socket GU10

max. 12 W

CRI 80

L70 / 50000 h

PHYSICAL

Length 70 mm

Width 70 mm

Height 200 mm

0.44 kg

ELECTRICAL

100 - 240 V

Total connected power 13.2^b to 13.3^a

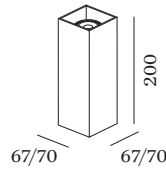
W

PC1

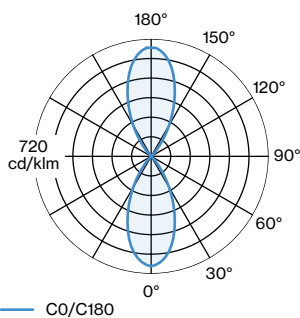
Safety distance 0.3 m

^a LED 3000K CRI 80 white

^b LED 2700K CRI 80 white



LIGHT DISTRIBUTION





WEVER & DUCRÉ
LIGHTING

BOX WALL mini 2.0

301120WN0

LED LAMPS

PAR16 LED Lamp

TYPE	COLOUR	Ø·H (MM)	ORDERCODE
2700K >90 CRI GU10	Jet Black	∅50·58	9 0 1 2 2 8 B 3
3000K >90 CRI GU10	Jet Black	∅50·58	9 0 1 2 2 8 B 5
2700K >80 CRI GU10	Signal White	∅50·58	9 0 1 2 2 8 W 2
2700K >90 CRI GU10	Signal White	∅50·58	9 0 1 2 2 8 W 3
3000K >80 CRI GU10	Signal White	∅50·58	9 0 1 2 2 8 W 4
2700K >80 CRI GU10	Silver/Grey	∅51·55	9 0 5 2 2 7 S 2
3000K >80 CRI GU10	Silver/Grey	∅51·55	9 0 5 2 2 7 S 4